

DSE8003

7" COLOUR MULTI-SET REMOTE OVERVIEW DISPLAY

FEATURES



The Remote Overview Display module is designed for use with the DSE86xx, 86xx MKII, DSE87xx and DSE88xx Load Share Control modules, giving a choice of display options suitable for a wide variety of applications. One (1) display overview module can be connected to multiple compatible modules via a data communication link up to a maximum distance of 1.2 km on RS485.

This display module offers comprehensive large screen graphs, charts, metering, power display and engine status information in a clear image and text format.

ENVIRONMENTAL TESTING STANDARDS

ELECTRO MAGNETIC COMPATIBILITY

BS EN 61000-6-2
EMC Generic Immunity Standard for the Industrial Environment
BS EN 61000-6-4
EMC Generic Emission Standard for the Industrial Environment

ELECTRICAL SAFETY

BS EN 60950
Safety of Information Technology Equipment, including Electrical Business Equipment

TEMPERATURE

BS EN 60068-2-1
Ab/Ae Cold Test -30°C
BS EN 60068-2-2
Bb/Be Dry Heat +70°C

VIBRATION

BS EN 60068-2-6
Ten sweeps in each of three major axes
5Hz to 8Hz @ +/-7.5mm, 8Hz to 500Hz @ 2gn

HUMIDITY

BS EN 60068-2-30
Db Damp Heat Cyclic 20/55°C @ 95% RH
48 Hours
BS EN 60068-2-78
Cab Damp Heat Static 40°C @ 93% RH
48 Hours

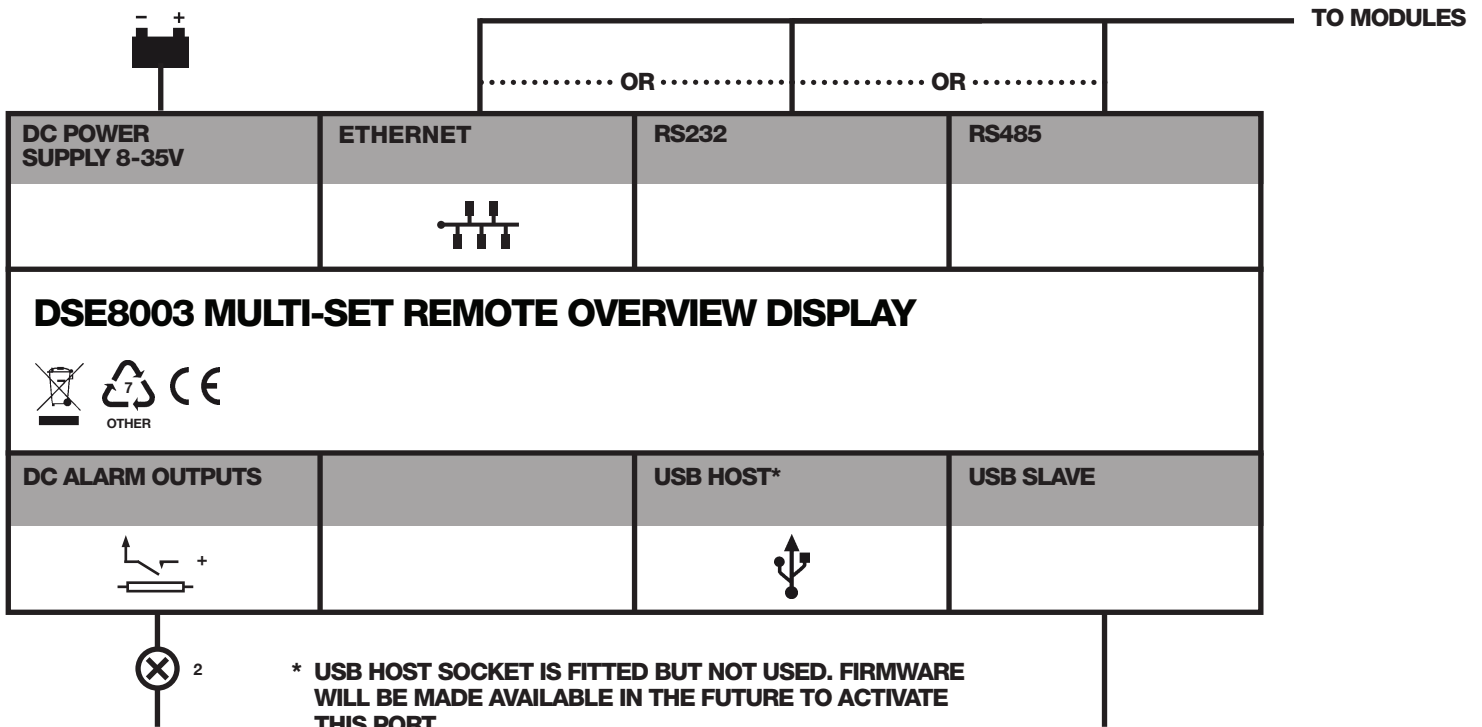
SHOCK

BS EN 60068-2-27
Three shocks in each of three major axes
15gn in 11mS

DEGREES OF PROTECTION PROVIDED BY ENCLOSURES

BS EN 60529 IP65 - Front of module when installed into the control panel with the supplied sealing gasket.

COMPREHENSIVE FEATURE LIST TO SUIT A WIDE VARIETY OF LOAD SHARE APPLICATIONS



DSE8003

7" COLOUR MULTI-SET REMOTE OVERVIEW DISPLAY

FEATURES



KEY FEATURES WHEN CONNECTED TO THE COMPATIBLE MODULES

- Multiple modules (up to a maximum of 20) within the same load sharing system can be viewed
- Touch-screen enabled
- RS232, RS485 and Ethernet communications
- Audible alarm
- Front panel mounting
- Protected front panel configuration
- Remote monitoring
- System monitoring

KEY BENEFITS

- Compatible with DSE86xx, 86xx MKII, DSE87xx & DSE88xx Load Share Modules
- Data communication link allows remote system management
- 800 x 480 pixel screen for high clarity
- Detailed diagnostic screens for efficient fault-finding

SPECIFICATION

DC SUPPLY

CONTINUOUS VOLTAGE RATING
8 V to 35 V continuous

CRANKING DROPOUTS

Able to survive 0 V for 50 mS, providing supply was at least 10 V before dropout and supply recovers to 5 V. This is achieved without the need for internal batteries

MAXIMUM OPERATING CURRENT

300 mA at 12V, 150 mA at 24V

OUTPUTS

ALARM OUTPUTS C & D
2 A DC at supply voltage

DIMENSIONS

OVERALL
310 mm x 160 mm x 40 mm
12.2" x 6.3" x 1.5"

PANEL CUTOUT

282 mm x 136 mm
11.1" x 5.3"

OPERATING TEMPERATURE RANGE

-30 °C to +70 °C
-22 °F to +158 °F

STORAGE TEMPERATURE RANGE

-40 °C to +85 °C
-40 °F to +185 °F

RELATED MATERIALS

TITLE

DSE8003 Installation Instructions
DSE8003 Colour Remote Display Manual
DSE8005 SCADA Suite Manual
DSE8610 Data Sheet
DSE8620 Data Sheet
DSE8660 Data Sheet
DSE8680 Data Sheet
DSE8700 Rear Mounted Load Share Control Module Data Sheet
DSE8810 Data Sheet
DSE8860 Data Sheet

PART NO'S

053-075
057-134
057-128
055-083
055-099
055-086
055-091
055-090
055-116
055-139

DEEP SEA ELECTRONICS PLC UK

Highfield House, Hunmanby Industrial Estate, Hunmanby YO14 0PH
TELEPHONE +44 (0) 1723 890099 **FACSIMILE** +44 (0) 1723 893303
EMAIL sales@deepseapl.com **WEBSITE** www.deepseapl.com

DEEP SEA ELECTRONICS INC USA

3230 Williams Avenue, Rockford, IL 61101-2668 USA
TELEPHONE +1 (815) 316 8706 **FACSIMILE** +1 (815) 316 8708
EMAIL sales@deepseausa.com **WEBSITE** www.deepseausa.com