

# Stromwandler BUSBAR PASSING C.T.

## Technische Daten

Material, selbstverlöschend  
Thermoplastik  
Nennfrequenz  
bemessungsspannung  
Nennspannung  
Testspannung  
Isolationsklasse  
Schutzgrad  
Überstrom, dauernd  
-  
Thermischer (I th)  
-  
(I dyn)  
Überstromfaktor  
Betriebstemperatur  
lagertemperatur  
Konformität

## Technical data

self extinguishing  
thermoplastic material  
operating frequency  
insulation reference  
voltage  
test voltage  
insulation  
protection degree  
continuous overcurrent  
-  
current (I th)  
-  
current (I dyn)  
safety factor  
operating temperature  
storage temperature  
manufactured according to

secondo/according to  
UL94-V0  
50+60 Hz  
0,72 kV  
3 kV x 1' 50 Hz  
classe E  
IP 30  
1,2 In  
80 In  
2,5 x I th  
N ≤ 5  
-25 +50 °C  
-40 +80 °C  
IEC/EN 60044-1,  
VDE, BS, UTE

# serie model TAT127... 127x55



### MESSWANDLER, SECUNDÄR 5 A - MEASURING C.T. SECONDARY 5 A

PRIMÄRSTROM PRIMARY CURRENT	BÜRDE - BURDENS		TYP code
A	VA	VA	
800	20	40	TAT127800X05
1000	20	40	TAT1271K0X05
1200	25	50	TAT1271K2X05
1500	40	80	TAT1271K5X05
2000	50	100	TAT1272K0X05
2500	60	120	TAT1272K5X05
3000	80	160	TAT1273K0X05
4000	100	200	TAT1274K0X05
5000	120	240	TAT1275K0X05

### MESSWANDLER, SEKUNDÄR 5 A - HIGH ACCURACY C.T. SECONDARY 5 A

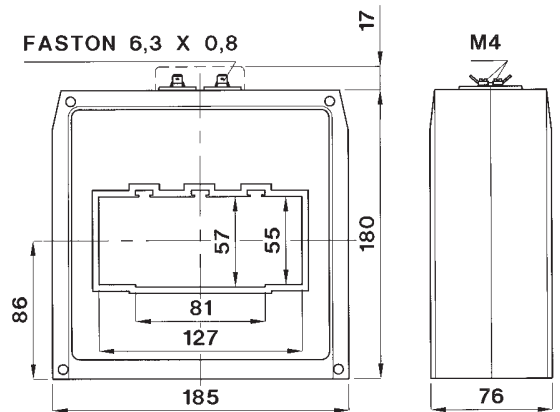
PRIMÄRSTROM PRIMARY CURRENT	BÜRDE - BURDENS		TYP code
A	VA	VA	
800	1,5	1,5	TAT127800J05
1000	3	3	TAT1271K0J05
1200	6	6	TAT1271K2J05
1500	8	8	TAT1271K5J05
2000	10	10	TAT1272K0J05
2500	15	15	TAT1272K5J05
3000	20	20	TAT1273K0J05
4000	25	25	TAT1274K0J05
5000	30	30	TAT1275K0J05

### SCHUTZWANDLER, SEKUNDÄR 5 A - PROTECTION C.T. SECONDARY 5 A

PRIMÄRSTROM PRIMARY CURRENT	BÜRDE - BURDENS				TYP price code
A	5P5 VA	5P10 VA	5P15 VA	5P20 VA	
800	20	8	3	-	TAT127800K05
1000	25	10	4	-	TAT1271K0K05
1200	30	12	5	-	TAT1271K2K05
1500	40	15	6	2	TAT1271K5K05
2000	50	15	7	3	TAT1272K0K05
2500	60	20	8	4	TAT1272K5K05
3000	80	25	10	5	TAT1273K0K05
4000	100	30	12	6	TAT1274K0K05

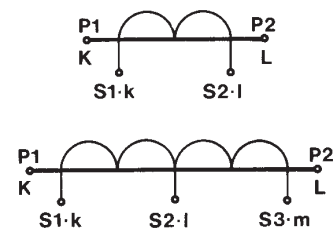
-  
-  
-  
-  
-  
-  
-

All C.T.'s indicated in tables are available also with secondary 1A; the relevant burdens remain unchanged. The price code for C.T.'s with secondary 1A has the last digit equal to 1. On request are available versions with intermediate tapping on secondary winding, allowing the use of the C.T. with two different primary currents. Burdens of the relevant ratio are listed in the table.



TAT127...  
kg. 2,5 ÷ 3,3

### ANSCHLUSSBILD PRIMARY AND SECONDARY CONNECTIONS MARKING



### SUPPLIED ACCESSORIES

- cable or busbar fixing set
- clamping terminals with faston 6,3 x 0,8 mm for secondary and short-circuit