

Stromwandler BUSBAR PASSING C.T.

Technische Daten

Material, selbstverlöschend
Kunststoffgehäuse
Nennfrequenz
Bemessungsspannung
Nennspannung
Testspannung
Isolationsklasse
Schutzgrad
Überstrom, dauernd

Technical data

self extinguishing
thermoplastic material
operating frequency
insulation reference
voltage
test voltage
insulation
protection degree
continuous overcurrent

Thermischer Überstrom (I_{th})
Dynamischer Überstrom
(I_{dyn})
Überstromfaktor
Betriebstemperatur
Lagertemperatur
Konformität

current (I_{th})
rated dynamic
current (I_{dyn})
safety factor
operating temperature
storage temperature
manufactured according to

Sekundärer Anschluss

integrated secondary terminals

Primärstrom PRIMARY CURRENT	BÜRDE - BURDENS			Typ code
	cl 0,5 VA	cl 1 VA	cl 3 VA	
400	3	5	10	TAT101400X05
500	5	8	15	TAT101500X05
600	8	12	15	TAT101600X05
800	10	18	20	TAT101800X05
1000	15	25	30	TAT1011K0X05
1200	20	30	35	TAT1011K2X05
1500	30	40	45	TAT1011K5X05
2000	30	40	45	TAT1012K0X05
2500	35	40	50	TAT1012K5X05
3000	35	40	50	TAT1013K0X05
4000	35	40	50	TAT1014K0X05

Sekundär 5 A - HIGH ACCURACY C.T. SECONDARY 5 A

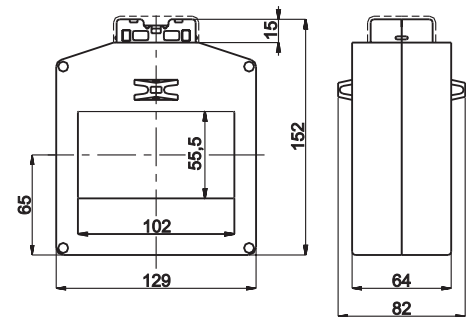
PRIMÄRSTROM PRIMARY CURRENT	BÜRDE - BURDENS		Typ code
	cl 0,2 VA	cl 0,5 S VA	
600	3	3	TAT101600J05
800	4	4	TAT101800J05
1000	8	8	TAT1011K0J05
1200	10	10	TAT1011K2J05
1500	12	12	TAT1011K5J05
2000	15	15	TAT1012K0J05
2500	20	20	TAT1012K5J05
3000	20	20	TAT1013K0J05
4000	20	20	TAT1014K0J05

Schutzwandler, Sekundär 5 A - PROTECTION C.T. SECONDARY 5 A

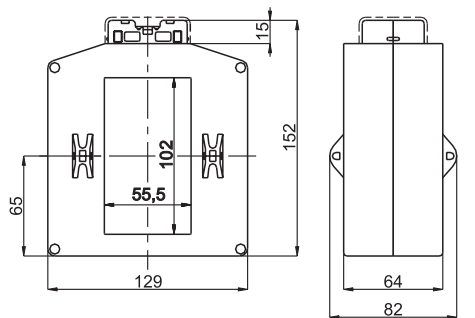
PRIMÄRSTROM PRIMARY CURRENT	BÜRDE - BURDENS			Typ code
	cl 5 P 5 VA	cl 5 P 10 VA	cl 5 P 15 VA	
500	3	2	-	TAT101500K05
600	8	4	-	TAT101600K05
800	12	6	2	TAT101800K05
1000	15	7	3	TAT1011K0K05
1200	15	8	4	TAT1011K2K05
1500	15	8	4	TAT1011K5K05
2000	20	10	4	TAT1012K0K05
2500	25	12	6	TAT1012K5K05
3000	30	15	7	TAT1013K0K05
4000	30	15	7	TAT1014K0K05

All C.T.'s indicated in tables are available also with secondary 1A; the relevant burdens remain unchanged. The price code for C.T.'s with secondary 1A has the last digit equal to 1.
On request are available versions with intermediate tapping on secondary winding, allowing the use of the C.T. with two different primary currents. Burdens of the relevant ratio are listed in the table.

serie model TAT101... 102x55



TAT101...
kg. 0,6 ÷ 2,5



Auf Anfrage

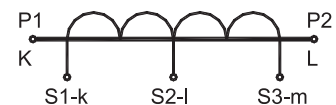
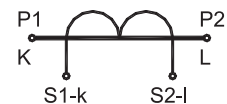
- Vertikaler Busbar
- Sekundäranschluss von der Front

ON REQUEST

- vertical busbar version
- secondary terminals on front

ANSCHLUSSBILD

PRIMARY AND SECONDARY CONNECTIONS MARKING



Zubehör

- Befestigungsset für CU- Schienenmontage

SUPPLIED ACCESSORIES

- C.T. fixing set for busbar mounting