

Technische Daten

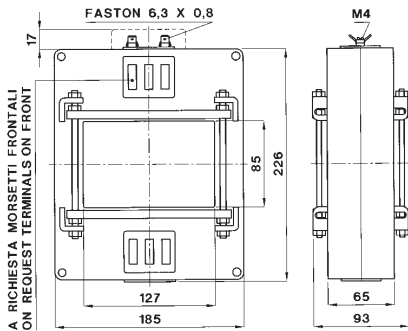
Selbst verlöschend
 Kunststoffgehäuse
 Nennfrequenz
 Bemessungsspannung
 Nennspannung
 Testspannung
 Isolationsklasse
 Schutzgrad
 Überstrom, dauernd

Technical data

self extinguishing
 thermoplastic material
 operating frequency
 insulation reference
 voltage
 test voltage
 insulation
 protection degree
 continuous overcurrent
 secondo/according to
 UL94-V0
 50+60 Hz
 0,72 kV
 3 kV x 1' 50 Hz
 classe E
 IP 30
 1,2 In

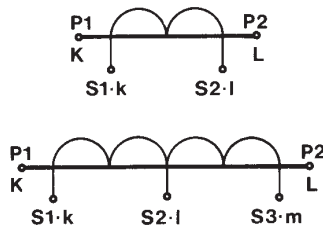
Thermischer Stropm (I th)
 Dynamischer Grenzstrom (I dyn)
 Überstromfaktor
 Betriebstemperatur
 Lagertemperatur
 Konformität

current (I th)
 rated dynamic current (I dyn)
 safety factor
 operating temperature
 storage temperature
 manufactured according to
 80 In
 2,5 x I th
 N ≤ 5
 -25 +50 °C
 -40 +80 °C
 IEC/ EN 60044-1,
 VDE, BS, UTE



TAT128...
 kg. 2,3 ÷ 3,5

Anschlußbezeichnung
PRIMARY AND SECONDARY CONNECTIONS MARKING



ZUBEHÖR

- BUS BAR BEFESTIGUNG
- KONTAKTE faston 6,3 x 0,8 mm zum Sekundärklemmen kurzschliessen

SUPPLIED ACCESSORIES

- built-in busbar fixing system
- clamping terminals with faston 6,3 x 0,8 mm for secondary and short-circuit

STROMWANDLER, SEKUNDÄR 5 A - MEASURING C.T. SECONDARY 5 A

PRIMÄRSTROM PRIMARY CURRENT	BÜRDE - BURDENS		
	cl 0,5	cl 1	
A	VA	VA	
1000	25	50	TAT1281K0X05
1200	30	60	TAT1281K2X05
1500	35	70	TAT1281K5X05
2000	40	80	TAT1282K0X05
2500	50	100	TAT1282K5X05
3000	70	120	TAT1283K0X05
4000	80	150	TAT1284K0X05
5000	100	180	TAT1285K0X05

SCHUTZWANDLER, SEKUNDÄR 5 A - PROTECTION C.T. SECONDARY 5 A

PRIMÄRSTROM PRIMARY CURRENT	BÜRDE - BURDENS			
	5 P 5	5 P 10	5 P 15	
A	VA	VA	VA	
1000	30	10	5	TAT1281K0K05
1200	35	12	6	TAT1281K2K05
1500	40	15	8	TAT1281K5K05
2000	60	20	10	TAT1282K0K05
2500	70	20	10	TAT1282K5K05
3000	80	25	12	TAT1283K0K05
4000	100	30	15	TAT1284K0K05
5000	40	15	5	TAT1285K0K05

All C.T.'s indicated in tables are available also with secondary 1A; the relevant burdens remain unchanged.

The price code for C.T.'s with secondary 1A has the last digit equal to 1.

On request are available versions with intermediate tapping on secondary winding, allowing the use of the C.T. with two different primary currents. Burdens of the relevant ratio are listed in the table.