

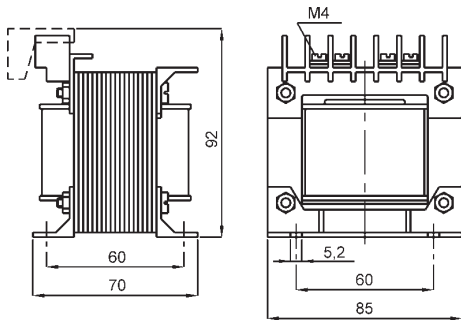
TTV006

Spannungswandler MEASURING VT



TECHNICAL DATA

case material	metallica / metallic
operating frequency	50 ± 60 Hz
insulation reference voltage	0,72 kV
test voltage	3 kV x 1' 50 Hz
dry insulation in air	classe E
protection degree	IP 30
rated voltage factor	1,2 continuativo/continuos
thermal power	6 volte la prest. nominale 6 times of rated burden
operating temperature	-25 + 50°C
storage temperature	-40 +80°C
manufactured according to	IEC/EN 60044-2 VDE-BS, UTE



kg 1,6

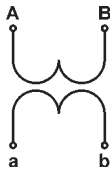
STANDARD PRIMARY

RATIO	BURDENS VA	CODE
	cl. 1	
100/100 V	6	TTV006100XCO
110/100 V	6	TTV006110XCO
115/100 V	6	TTV006115XCO
220/100 V	6	TTV006220XCO
230/100 V	6	TTV006230XCO
380/100 V	6	TTV006380XCO
400/100 V	6	TTV006400XCO
440/100 V	6	TTV006440XCO
500/100 V	6	TTV006500XCO

SQUARE ROOT PRIMARY

RATIO	BURDENS VA	CODE
	cl. 1	
100:√3/100:√3 V	3	TTV006100VCO
110:√3/100:√3 V	3	TTV006110VCO
115:√3/100:√3 V	3	TTV006115VCO
220:√3/100:√3 V	3	TTV006220VCO
230:√3/100:√3 V	3	TTV006230VCO
380:√3/100:√3 V	3	TTV006380VCO
400:√3/100:√3 V	3	TTV006400VCO
440:√3/100:√3 V	3	TTV006440VCO
500:√3/100:√3 V	3	TTV006500VCO

PRIMARY AND SECONDARY CONNECTIONS MARKING



NO STANDARD RATIO

PRIMARY VOLTAGE	SECONDARY VOLTAGE	BURDENS VA	CODE
		cl. 1	
100+500 V to be specified	100V; 110V; 100:√3V; 110:√3V; 100:3V; 110:3V;	6	TTV006
100+500 :√3 V to be specified		3	

ORDERING INFORMATION

- code
- options (see page 11.3)